

# ProCon 47, 75 & 77 Gas Condensing Range.



- Wall hung gas-condensing boiler in outputs of 47kW & 75kW.
- Cascadable up to 1,125kW, with integral cascade controls on the HM models.
- Combination versions available in 27kW & 47kW outputs.
- Extremely high energy efficiency with fuel engineering related efficiency of up to 109.5%.
- Additional energy savings thanks to the wide modulation range of 1:5, with flexible output adjustment to suit heating requirements.
- Extremely low emissions through the use of the modulating, low maintenance ECONOX pre-mix radiant burner.
- High-performance heat exchangers made from stainless steel guarantee excellent reliability and a long service life.
- Room sealed operation available as standard.
- Simple, uncomplicated design and easy access to all components makes assembly and servicing easier.
- 3 Year parts and labour warranty, 5 year heat exchanger warranty

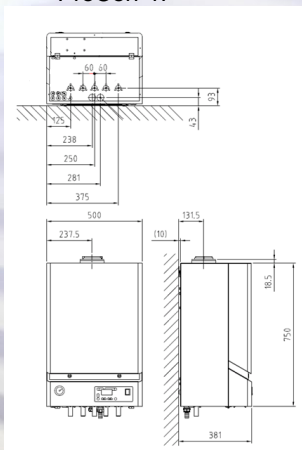
MHG Heating Ltd Unit 4 Epsom Downs Metro Centre, Waterfield, Tadworth, Surrey. KT20 5LR  
Phone 08456 448802 Fax 08456 448803 Email [info@mhgheating.co.uk](mailto:info@mhgheating.co.uk) web [www.mhgheating.co.uk](http://www.mhgheating.co.uk)

# ProCon 16, 27, 47, 75 & 77 Gas Condensing Range.

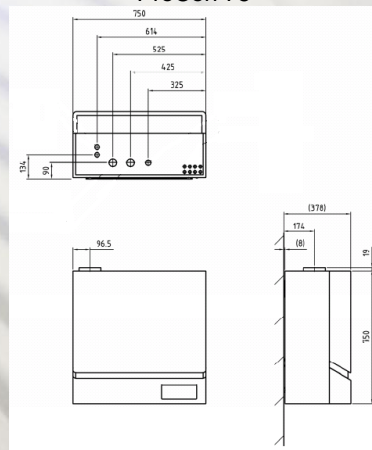
H = System Boiler, S = Combination Boiler, HS = System Boiler with integral 3 way HWS diverter valve HM = Master boiler with cascade controller.

Technical Data		Units	47 H & S	75 & 77 H & HM
Nominal Heat Input Net	Min/Max	kW	12.0/45.0	15.0/70.0
Nominal Heat Input Gross	Min/Max	kW	13.2/49.5	16.5/77.0
Carbon Emissions 100% Of max Output	G20	kgC/kWhr	0.061	0.060
	G31	kgC/kWhr	0.078	0.077
Carbon Emissions 30% Of max Output	G20	kgC/kWhr	0.055	0.055
	G31	kgC/kWhr	0.070	0.070
SEDBUK Rating			B	B
Operating Efficiency (40°C/30°C)		%	108.5	108.5
Nominal Heat Output (50°C/30°C)	Min/Max	kW	12.9/47.0	16.0/74.6
Design Flow Rate (50°C/30°C)		Ltr/sec	0.560	0.880
Nominal Heat Output (80°C/60°C)	Min/Max	kW	11.7/43.5	14.5/67.8
Design Flow Rate (80°C/60°C)		Ltr/sec	0.519	0.807
Hot Water Generation Output		kW	(45)	
Hot water flow rate @ DT 30°C		Ltr/min	(20)	
Min Flow Rate For H/W Activation		Ltr/min	(3)	
<b>Minimum Flow Rate</b>		<b>Ltr/sec</b>	<b>0.373</b>	<b>0.592</b>
Residual Head from In-built Pump		m/W.C	0.5	0.75
Maximum Input Gas Rate	G20	m³/hr	4.65	6.91
	G31	m³/hr	1.72	2.60
Gas Inlet Pressure	Min/Max	Mbar	18.0/50.0	18.0/50.0
Maximum Flue Gas Volume (Hot)		m³/hr	64.08	96.84
Available Fan Pressure		Pa	400	400
Maximum Water Pressure (Hot)		bar	3.0	3.0
Minimum Water Pressure (Cold)		bar	0.8	0.8
Maximum Flow Temperature		°C	90	90
Power Supply (230 V / 50 Hz)		Amps	5	5
Max Power Consumption		Watts	145	250
Water Content		Ltrs	5.2	8.2
Lift Weight (Dry)		kg	43.0	70.0

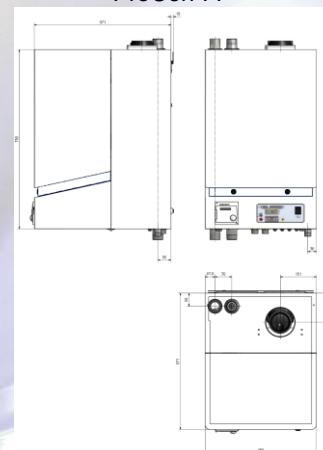
ProCon 47



ProCon 75



ProCon 77



MHG Heating Ltd Unit 4 Epsom Downs Metro Centre, Waterfield, Tadworth, Surrey. KT20 5LR  
 Phone 08456 448802 Fax 08456 448803 Email info@mhgheating.co.uk web www.mhgheating.co.uk

