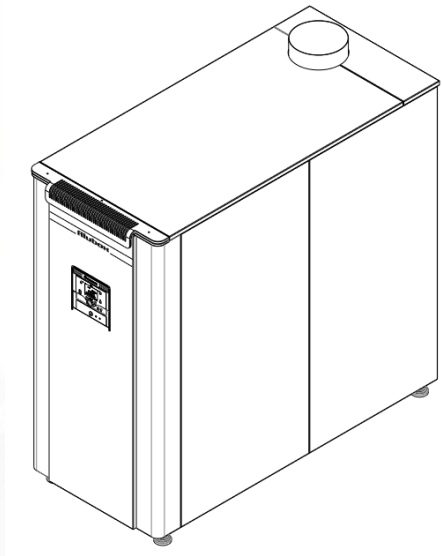


Alubox 50-2200kW_{Floor Condensing Boilers}



- Aluminium Heat Exchangers
- Class 5 NOx
- Fully Modulating Premix Burner
- Turndown 6:1 to 15:1
- Direct BMS Connectivity
- Remote Monitoring Options. GSM / Web Connectivity
- Full Range of Single Walled Flue Components Including Cascade
- Integral Cascade Functionality up to 16 boilers (8.3kW – 35.2MW)
- Matched Low Loss Headers or Matched System Separation Plate Heat Exchangers
- Anti-Seize Pump and Valve Program (Pump by others)
- Frost Protection Program
- Integral Safety Controls Fully Compliant with BS:6644 : 2014
- Natural Gas / LPG Compatible
- Remote Monitoring Options. GSM / Web Connectivity

MHG Heating Ltd Unit 4 Epsom Downs Metro Centre, Waterfield, Tadworth, Surrey. KT20 5LR
Phone 08456 448802 Fax 08456 448803 Email info@mhgheating.co.uk web www.mhgheating.co.uk

Alubox 50-2200kW Floor Condensing Boilers

Product Type		Alubox 50		Alubox 70		Alubox 90		Alubox 115		Alubox 125		Alubox 150	
General		Min	Max	Min	Max	Min	Max	Min	Max	Min	Max	Min	Max
Type of Flue Installation		B23-B53-C13-C33-C43-C53-C63-C83						B23-B53-C13-C33-C43-C53-C63-C83					
Fuel type Gas Category		I2H,I2E-Natural Gas-G20						I2H,I2E-Natural Gas-G20					
Nominal Heat Input Qn	kW	7.6	49.2	10.2	65.6	14.9	88.3	14.9	112.3	19.9	123.5	19.9	143.1
Nominal Heat Output Pn at (80-60)°C	kW	7.4	48.1	9.9	63.8	14.4	86.9	14.4	110.3	19.3	121.4	19.3	140.5
Nominal Heat Output Pn at (50-30)°C	kW	8.2	52.1	11.0	68.2	16.1	92.7	16.1	117.7	21.5	128.9	21.5	147.7
Water Operating Pressure	Bar	0.8	6.0	0.8	6.0	0.8	6.0	0.8	6.0	0.8	6.0	0.8	6.0
Maximum Operating Temperature	°C	85		85		85		85		85		85	
Cut-Off Temp. for Limit Thermostat	°C	95		95		95		95		95		95	
Efficiency & Emissions													
Heat Efficiency Q max (80-60)°C	%	97.7		97.2		98.4		98.2		98.3		98.2	
Heat Efficiency Q min (80-60)°C	%	96.9		96.7		96.8		96.8		97		97	
Heat Efficiency Q max (50-30)°C	%	105.9		103.9		105		104.8		104.4		103.2	
Heat Efficiency Q min (50-30)°C	%	108.1		108		108.2		108.2		108.1		108.1	
Partial Load, Return 30°C (Direct Method)	%	108.6		108.4		108.5		108.7		108.5		108.4	
Flue Gas Temperature (80-60)°C	°C	54.7	65.6	55.4	72.1	54.7	61.4	56.8	64.9	56.9	61.8	56.9	70.3
Flue Gas Temperature (50-30)°C	°C	29.5	45.1	30.1	52.3	30.2	44.8	30.2	53.5	30.5	44.9	30.5	47.1
CO2 Emissions G20 (Hi:34.02 MJ/m³)	%	9.32	9.36	9.05	9.6	9.4	9.3	9.44	9.36	9.54	9.49	9.54	9.56
CO Emissions G20 (Hi:34.02 MJ/m³)	ppm	44	89	29	152	27	120	27	156	24	140	24	169
NOX Emissions G20 (Hi:34.02 MJ/m³)	mg/kWh	37		28		39		43		46		44	
NOX Class		5		5		5		5		5		5	
Flue Gas Mass G20 (Hi:34.02 MJ/m³)	g/sec	3	22	5	28	6	39	6	49	9	54	9	63
Nominal Water Circulating Mass Δt=20°C	m³/h	2.08		2.79		3.81		4.96		5.30		6.13	
Water Pressure Loss Δt=20°C	Mbar	130		180		170		280		310		400	
Gas Supply G20 (Hi:34.02 MJ/m³)	Mbar	20		20		20		20		20		20	
Max Gas Supply Pressure G20	Mbar	25		25		25		25		25		25	
Min Gas Supply Pressure G20	Mbar	17		17		17		17		17		17	
Power Supply Voltage / Frequency	Vac/Hz	230-50											
Power Supply Voltage Tolerance	%	(+15%)/(-10%)											
Electrical Power Max Absorbed	W	52		97		116		203		212		313	
Working Conditions, Temperature	°C	+5/+40		+5/+40		+5/+40		+5/+40		+5/+40		+5/+40	
IP Class	-	IP X4D		IP X4D		IP X4D		IP X4D		IP X4D		IP X4D	
Boiler Connections & Dimensions													
Boiler Flow Connection	"	1		1		1		1		1		1	
Boiler Return Connection	"	1		1		1		1		1		1	
Boiler Gas Connection	"	1		1		1		1		1		1	
Condensate Syphon Connection	Ø(mm)	25		25		25		25		25		25	
Flue Pipe Diameter	Ø(mm)	100/150		100/150		100/150		100/150		100/150		100/150	
Fresh Air Inlet Diameter	Ø(mm)	85		85		85		85		85		85	
Flue Outlet Diameter	Ø(mm)	100		100		100		100		100		100	
Boiler Weight Dry	kg	60		60		70		70		82		82	
Boiler Diameter WxDxH	mm	1049x640x582		1049x640x582		640x575x1095		640x575x1095		640x575x1079		640x575x1079	

Product Type		Alubox 200		Alubox 280		Alubox 540		Alubox 700		Alubox 1100		Alubox 2200	
General		Min	Max	Min	Max	Min	Max	Min	Max	Min	Max	Min	Max
Type of Flue Installation		B23		B23		B23		B23		B23		B23	
Fuel type Gas Category		I2H G20 Mbar		I2H G20 Mbar		I2H, I2E G20 Mbar		I2H, I2E G20 Mbar		I2H, I2E G20 Mbar		I2H G20 Mbar	
Nominal Heat Input Qn	kW	35.3	200.0	48.0	280.0	81.9	517.0	101.4	661.0	150.5	1029.6	150	2059.2
Nominal Heat Output Pn at (80-60)°C	kW	34.5	195.2	46.7	274.1	79.1	503.0	97.9	643.2	146.0	1001.8	146	2003.6
Nominal Heat Output Pn at (50-30)°C	kW	36.4	208.0	51.6	290.6	86.0	537.7	108.5	709.9	161.2	1101.7	160.7	2203.3
Water Operating Pressure	Bar	0.8	6.0	0.8	6.0	0.8	6.0	0.8	6.0	0.8	6.0	0.8	6.0
Maximum Operating Temperature	°C	85		85		85		85		85		85	
Cut-Off Temp. for Limit Thermostat	°C	95		95		95		95		95		95	
Efficiency & Emissions													
Heat Efficiency Q max (80-60)°C	%	97.6		97.9		97.3		97.3		97.3		97.3	
Heat Efficiency Q min (80-60)°C	%	97.7		97.3		96.6		96.5		97.0		97.0	
Heat Efficiency Q max (50-30)°C	%	104.0		103.8		104.0		107.4		107.0		107.0	
Heat Efficiency Q min (50-30)°C	%	103.2		107.5		105.0		107.0		107.1		107.1	
Partial Load, Return 30°C (Direct Method)	%	107.4		107.3		106.7		108.6		108.0		108.0	
Flue Gas Temperature (80-60)°C	°C	53.2	63.4	54.2	64.6	55.5	63.6	61.4	65.8	61.9	64.6	61.9	64.6
Flue Gas Temperature (50-30)°C	°C	29.0	52.7	29.0	47.4	30.3	40.1	34.2	34.5	29.4	33.8	29.4	33.8
CO2 Emissions G20 (Hi:34.02 MJ/m³)	%	8.8	9.3	8.8	9.8	8.9	9.1	8.9	9.4	9.0	9.3	9.0	9.3
CO Emissions G20 (Hi:34.02 MJ/m³)	ppm	1	24	2	34	2	29	5	33	6	44	5	44
NOX Emissions G20 (Hi:34.02 MJ/m³)	mg/kWh	33.85		62.60		38.00		53.00		48.0		53.00	
NOX Class		5		5		5		5		5		5	
Flue Gas Mass G20 (Hi:34.02 MJ/m³)	g/sec	16.51	90.1	22.45	119.63	37.95	235.09	46.98	292.42	69.05	459.64	69.05	919.28
Nominal Water Circulating Mass Δt=20°C	m³/h	8.39		11.79		23.39		28.70		42.50		47.6 x 2pcs	
Water Pressure Loss Δt=20°C	Mbar	130		250		48		50.3		44.6		140	
Gas Supply G20 (Hi:34.02 MJ/m³)	Mbar	20		20		20		20		20		20	
Max Gas Supply Pressure G20	Mbar	25		25		25		25		25		25	
Min Gas Supply Pressure G20	Mbar	17		17		17		17		17		17	
Boiler Connections & Dimensions													
Power Supply Voltage / Frequency	Vac/Hz	230-50											
Power Supply Voltage Tolerance	%	(+15%)/(-10%)											
Electrical Power Max Absorbed	W	450		450		1400		1400		2650		5300	
Working Conditions, Temperature	°C	+5/+40		+5/+40		+5/+40		+5/+40		+5/+40		+5/+40	
IP Class	-	IP X4D		IP X4D		IP X4D		IP X4D		IP X4D		IP X4D	
Boiler Flow Connection	"	2		2		3		3		4		4 x 2 pcs	
Boiler Return Connection	"	2		2		3		3		4		4 x 2 pcs	
Boiler Gas Connection	"	1 1/4		1 1/4		2 1/2		2 1/2		2 1/2		2 1/2 x 2 pcs	
Condensate Syphon Connection	Ø(mm)	25		25		25		25		25		25 x 2 pcs	
Flue Pipe Diameter	Ø(mm)	-		-		-		-		-		-	
Fresh Air Inlet Diameter	Ø(mm)	100		100		125		125		-		-	
Flue Outlet Diameter	Ø(mm)	200		200		250		250		250		250 x 2 pcs	
Boiler Weight Dry	kg	262		295		456		510		630		1378	
Boiler Diameter WxDxH	mm	645x1420x1350		645x1420x1350		838x1600x1720		838x1600x1720		898x1993x1720		1738x1993x1720	

MHG Heating Ltd Unit 4 Exsom Downs Metro Centre, Waterfield, Tadworth, Surrey. KT20 5LR
 Phone 08456 448802 Fax 08456 448803 Email info@mhgheating.co.uk web www.mhgheating.co.uk



MHG Heiztechnik – Simply better.