

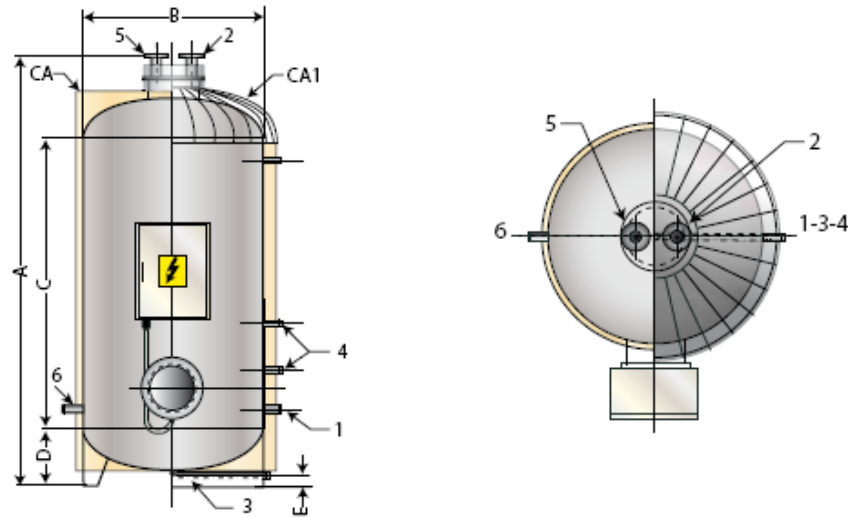
Thermal Stores. 500 – 110,000Litre



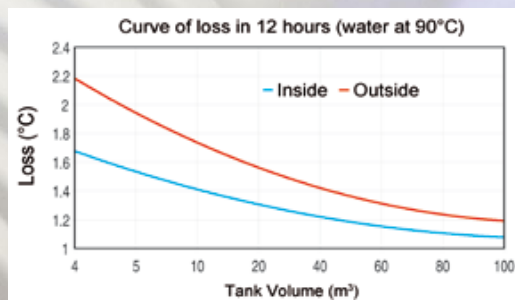
- Capacities of 500 to 110 000 liters.
- Vertical or horizontal appliances.
- Tanks made of 1st quality carbon or stainless steel.
- Produced to plan.
- Unvented or vented tanks
- Insulated or without insulation.
- Heating or holding at temperature, integrated or separated.
 - Electric immersion heater.
 - Gas equipment.
 - Tube heater.
 - Plate exchanger.
 - Coil.
- Appliances delivered complete, ready for connection.
 - Air valves.
 - Gauges.
 - Ladders.
 - Footbridges.
 - Control panels, etc.
- Simple and fast installation.
- Limited maintenance.
- Appliances reputed for their reliability

MHG Heating Ltd Unit 4 Epsom Downs Metro Centre, Waterfield, Tadworth, Surrey. KT20 5LR
Phone 08456 448802 Fax 08456 448803 Email info@mhgheating.co.uk web www.mhgheating.co.uk

Thermal Stores. 500 - 110,000Litre



| Capacity | A mm | B mm | C mm | D mm | E mm |
|----------|-------|------|-------|------|------|
| 4000 | 3110 | 1500 | 2000 | 460 | 80 |
| 5000 | 3710 | 1500 | 2500 | 460 | 80 |
| 6000 | 4310 | 1500 | 3000 | 460 | 80 |
| 8000 | 3830 | 1900 | 2500 | 530 | 80 |
| 10000 | 4430 | 1900 | 3000 | 530 | 80 |
| 12000 | 5030 | 1900 | 4000 | 530 | 80 |
| 15000 | 6030 | 1900 | 5000 | 530 | 80 |
| 20000 | 5390 | 2500 | 3500 | 750 | 100 |
| 25000 | 6390 | 2500 | 4500 | 750 | 100 |
| 30000 | 7390 | 2500 | 5500 | 750 | 100 |
| 35000 | 8390 | 2500 | 6500 | 750 | 100 |
| 40000 | 6770 | 3000 | 5000 | 860 | 100 |
| 50000 | 8170 | 3000 | 6000 | 860 | 100 |
| 60000 | 9770 | 3000 | 8000 | 860 | 100 |
| 70000 | 11770 | 3000 | 10000 | 960 | 150 |
| 80000 | 12770 | 3000 | 11000 | 960 | 150 |
| 100000 | 15770 | 3000 | 14000 | 960 | 150 |



MHG Heating Ltd Unit 4 Epsom Downs Metro Centre, Waterfield, Tadworth, Surrey. KT20 5LR
 Phone 08456 448802 Fax 08456 448803 Email info@mhgheating.co.uk web www.mhgheating.co.uk

